

## MyTek MWAN-2470 6dBi 2.4 GHz Directional Antenna



### Specification

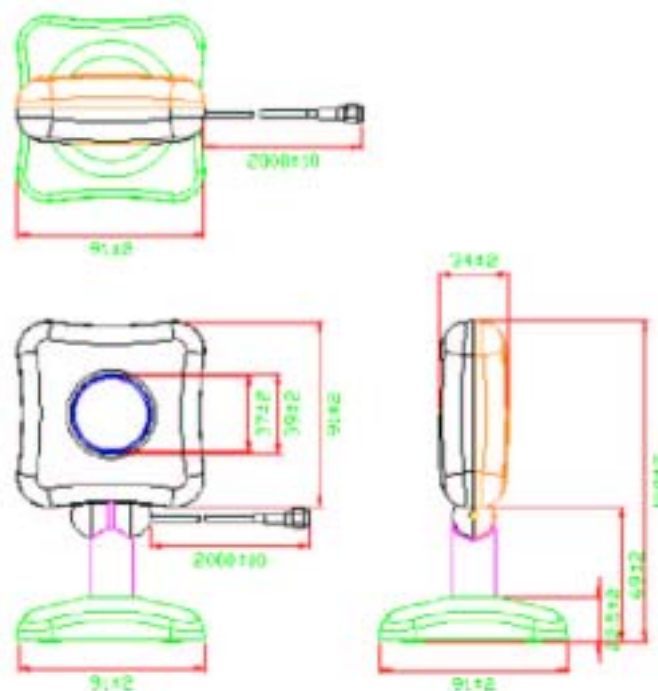
<b>Frequency Range</b>	2.4~2.5 GHz
<b>VSWR</b>	2.0 max
<b>Antenna Gain</b>	Around 5.5 dBi, including the cable loss
<b>Antenna Type</b>	Directional
<b>Range Increase</b>	Min 50% (100%) for "Open Space"
<b>Color</b>	White
<b>Cable Length</b>	2 m
<b>Rotation</b>	Horizontal rotation 360 <sup>0</sup> , vertical rotation 150 <sup>0</sup> by 2 hinges design
<b>Dimension</b>	165 x 93 x 93 mm
<b>Connector</b>	RP-SMA Male
<b>Placement</b>	Mounting on Wall/Ceiling (Indoor and Outdoor)

Package Content: Antenna (including base and cable), screws for wall/ceiling mounting.

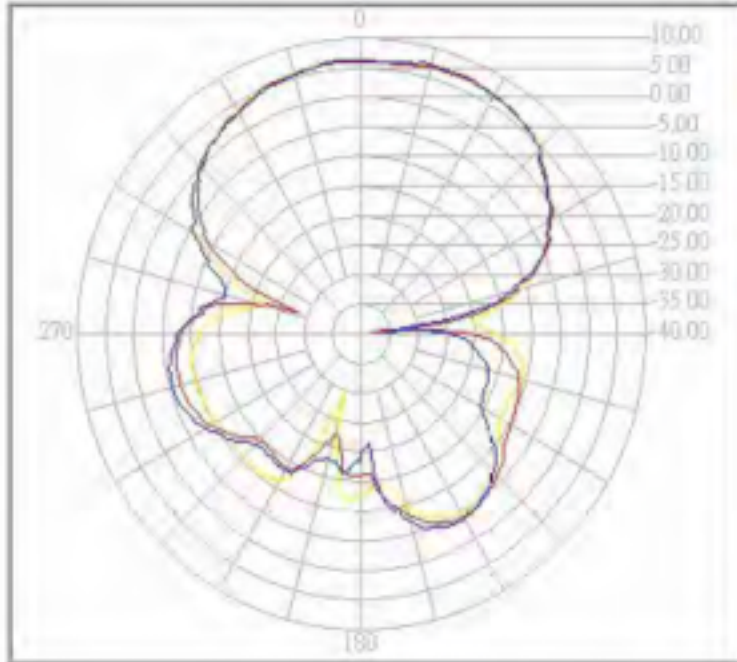
Applications: Router, Access Point, Personal Computer etc.

Note: For outdoor installation, MWAN-2470 can only be installed under roof protection.

### Physical Dimensions

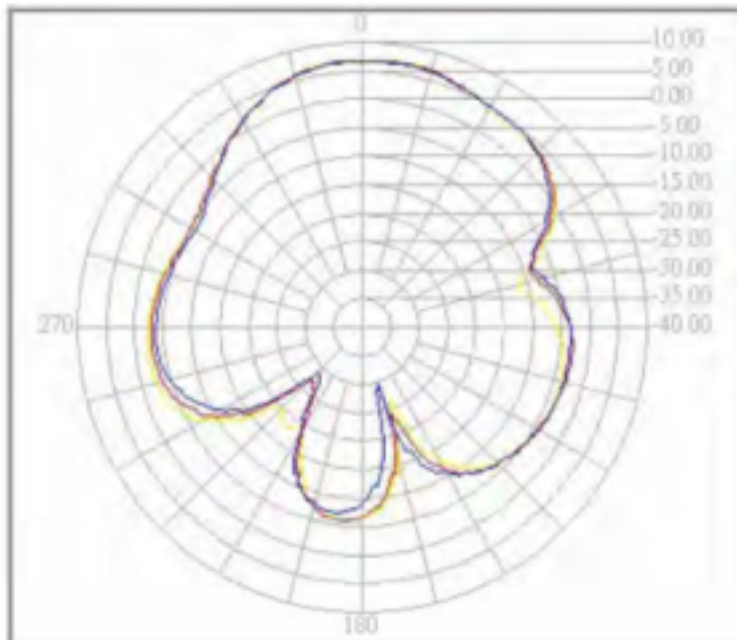


### XY-Plane



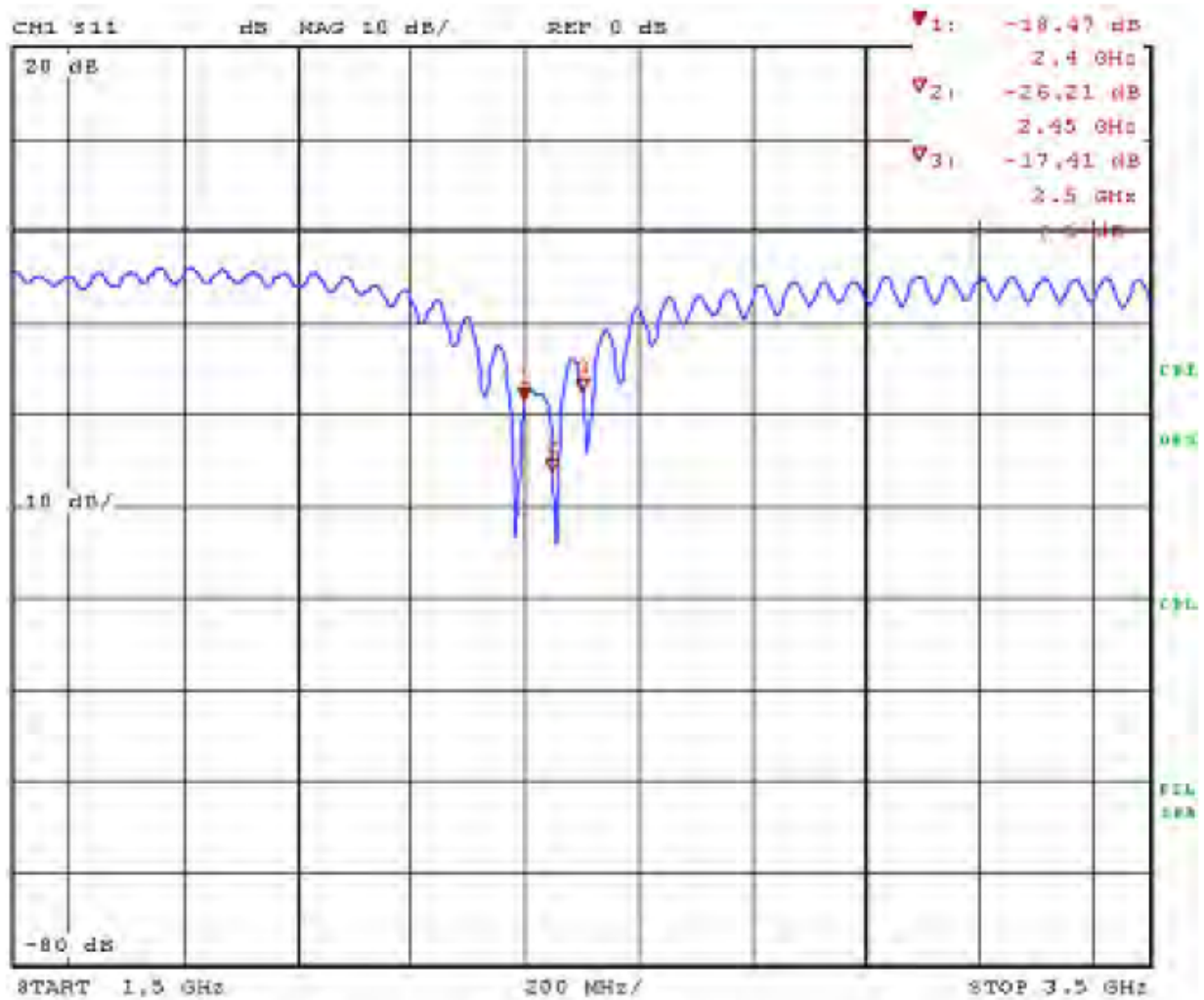
Freq(MHz)	peak(dBi)	Angle(o)	Avg(dBi)
2400.00	6.94	20.00	0.28
2450.00	6.75	21.33	0.08
2490.00	7.11	20.00	0.24

### YZ-Plane



Freq(MHz)	peak(dBi)	Angle(o)	Avg(dBi)
2400.00	7.00	9.70	0.10
2450.00	6.86	9.70	0.17
2490.00	6.64	7.27	-0.08

H-Plane E-Plane



Return Loss For 2.4GHz