

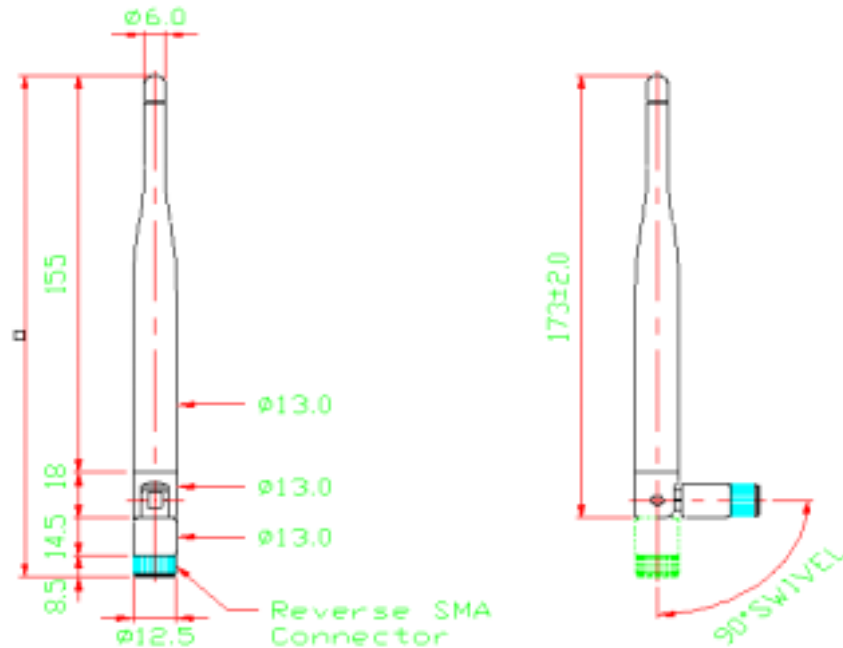
## MyTek MWAN-2450 5dBi 2.4 GHz Antenna



### Specification

Frequency Range	2.4~2.4835 GHz
Impedance	50Ω
VSWR (see Fig. 1)	=< 2.0 max
Return Loss	-10dB max
Gain (see Fig 2, Fig 3)	5 dBi (Typ.)
Polarization	Linear
Radiation Pattern	Near omni-directional in the horizontal plane
Type	λ/2 Dipole
Color	Black
Coaxial Cable	RG-178
Plastic Cover	Thermoplastic Polyurethane
Antenna Base	Polycarbonate
Connector	RP-SMA
Operation and Storage Temperature	-20~+65°C

### Physical Dimensions



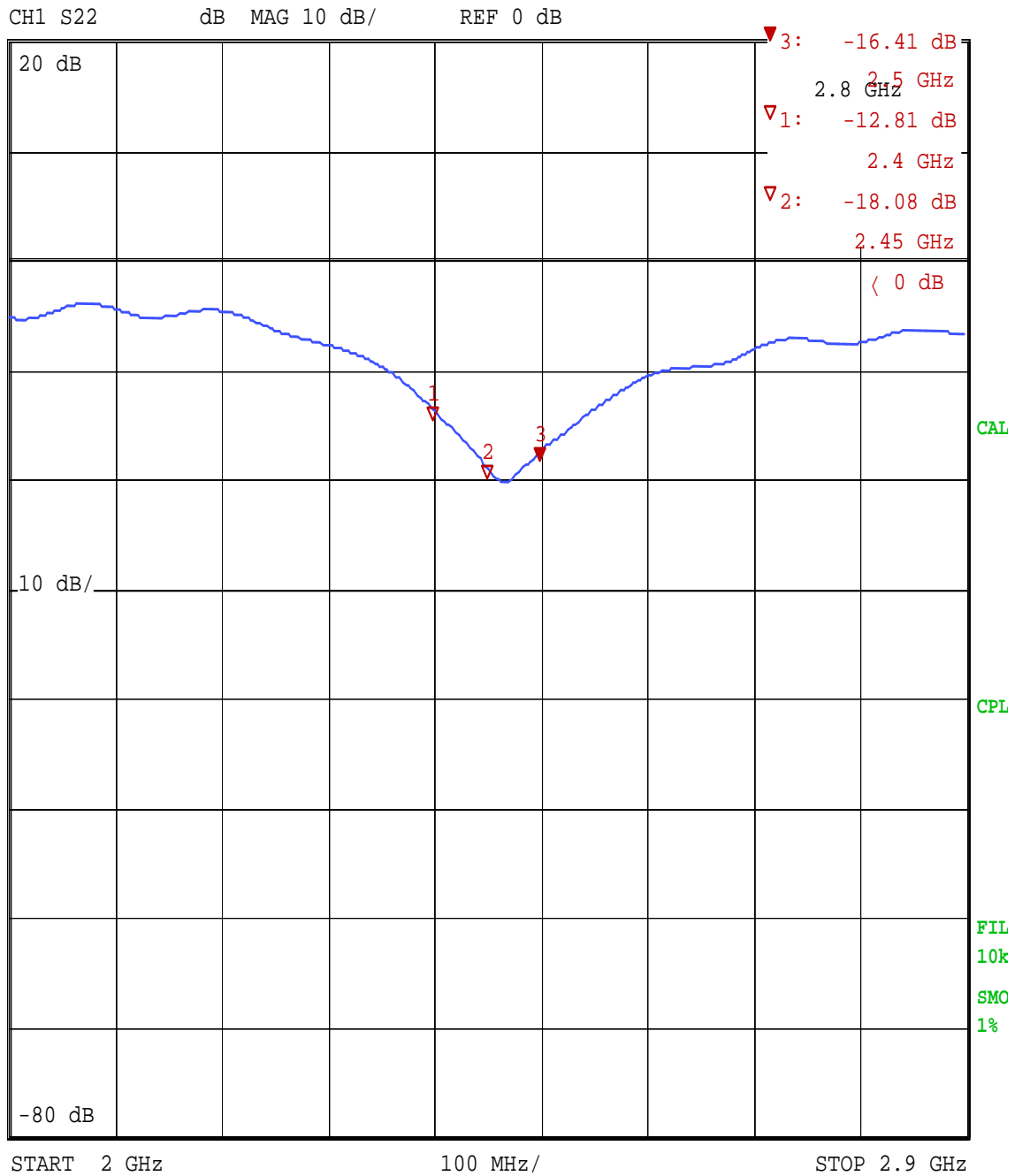


Fig 1 Return Loss For 2.4GHz

Antenna Position: Vertical

Test Mode: 5dBi

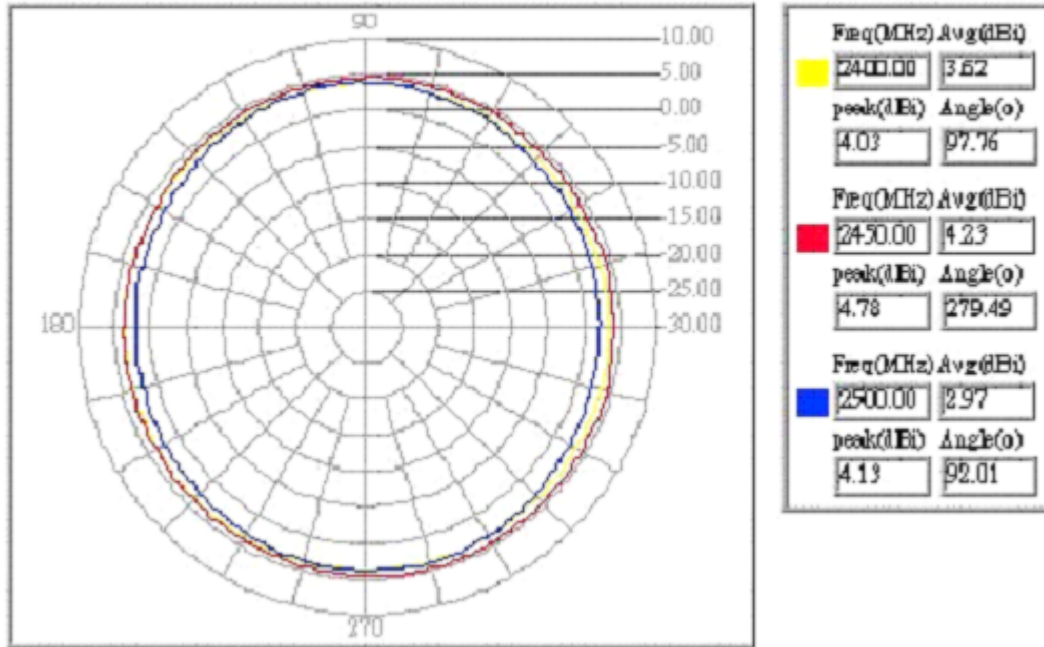


Fig.2 H-Plane

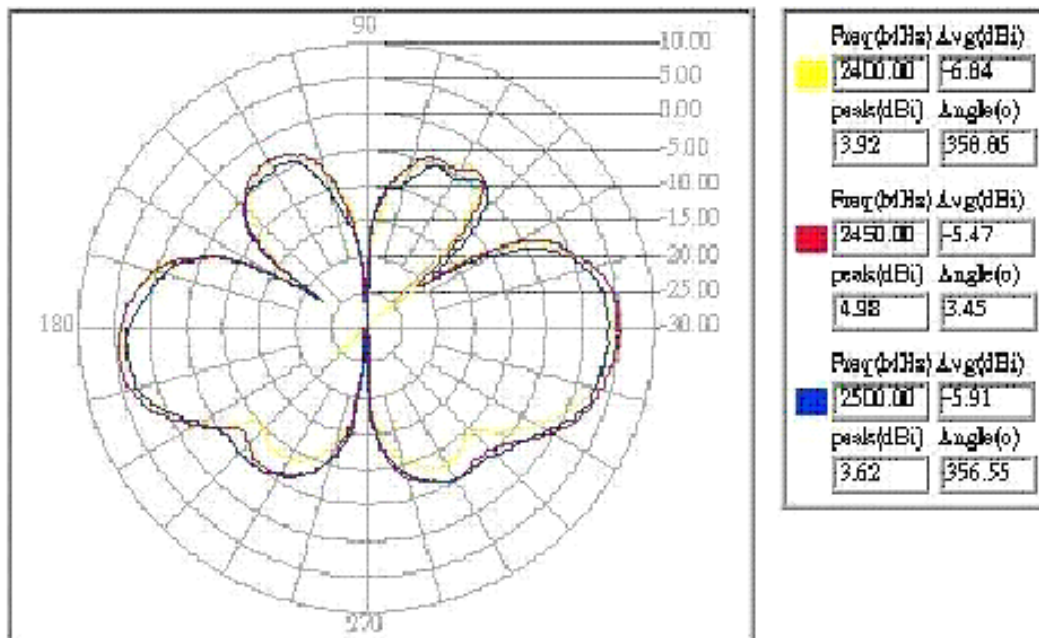


Fig.3 E-Plane